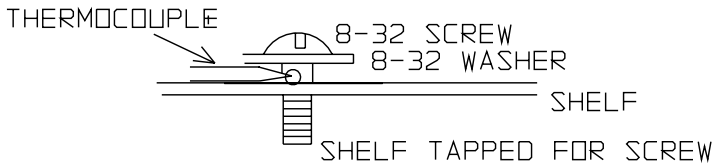
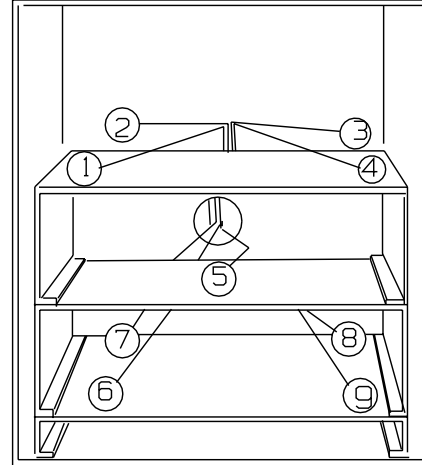
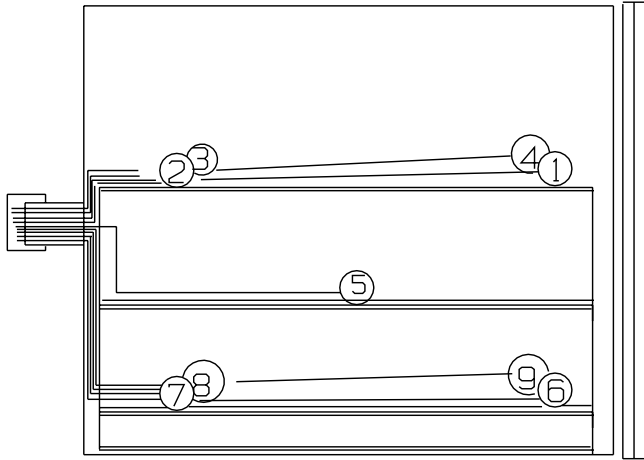


DESCRIPTION: THERMOCOUPLE AND THERMOMETER PLACEMENT FOR TESTING SHELDON AND BRANDED VACUUM CHAMBERS. VACUUM OVENS HAVE NO CONVECTED HEAT AT HIGHER VACUUMS. THERMOCOUPLES AND THERMOMETERS MUST CONTACT SHELVES SNUGLY TO READ CONDUCTED HEAT.

MODELS WITH 2" ACCESS TUBE 1410M, 1430M

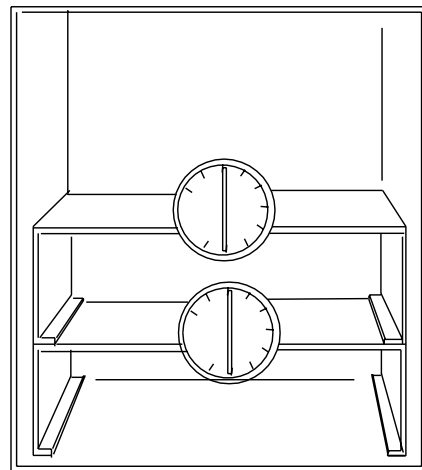
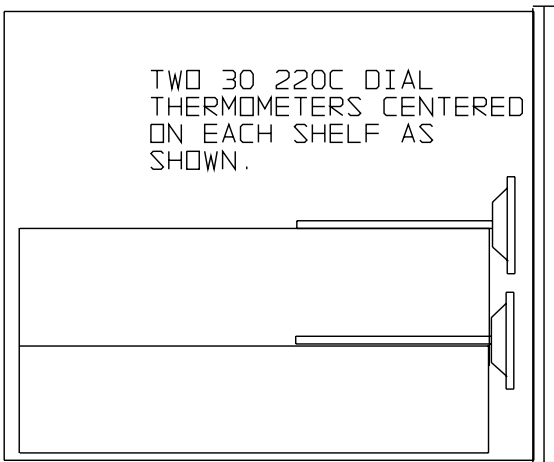


TYPICAL THERMOCOUPLE APPLICATION
CLAMP WASHER OVER THERMOCOUPLE
SECURELY. DO NOT OVERTIGHTEN-THIS MAY STRIP
THREADS OR DAMAGE THERMOCOUPLE

THERMOCOUPLES 1, 2, 3, 4, 6, 7, 8, & 9
ARE LOCATED 2" IN FROM THEIR
RESPECTIVE WALLS ON SHELVES WHERE
SHOWN. THERMOCOUPLE 5 IS IN
CENTER OF MIDDLE SHELF.

READINGS TAKEN AT ATMOSPHERIC
AND 25" VACUUM AT 150C

1410, 1430 STYLES WITH NO ACCESS PORT



REV NO.	CHANGES MADE	DATE DONE	APPROVALS			
			ENG	MFG	MAT	QA

SHELDON
MANUFACTURING
INC.,
CORNELIUS, OREGON